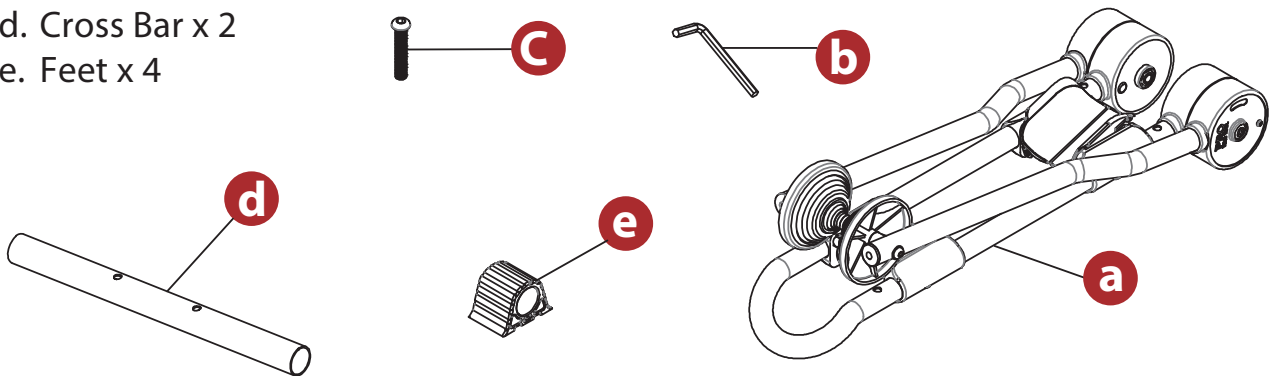


# PRO

## BIKE TOOL

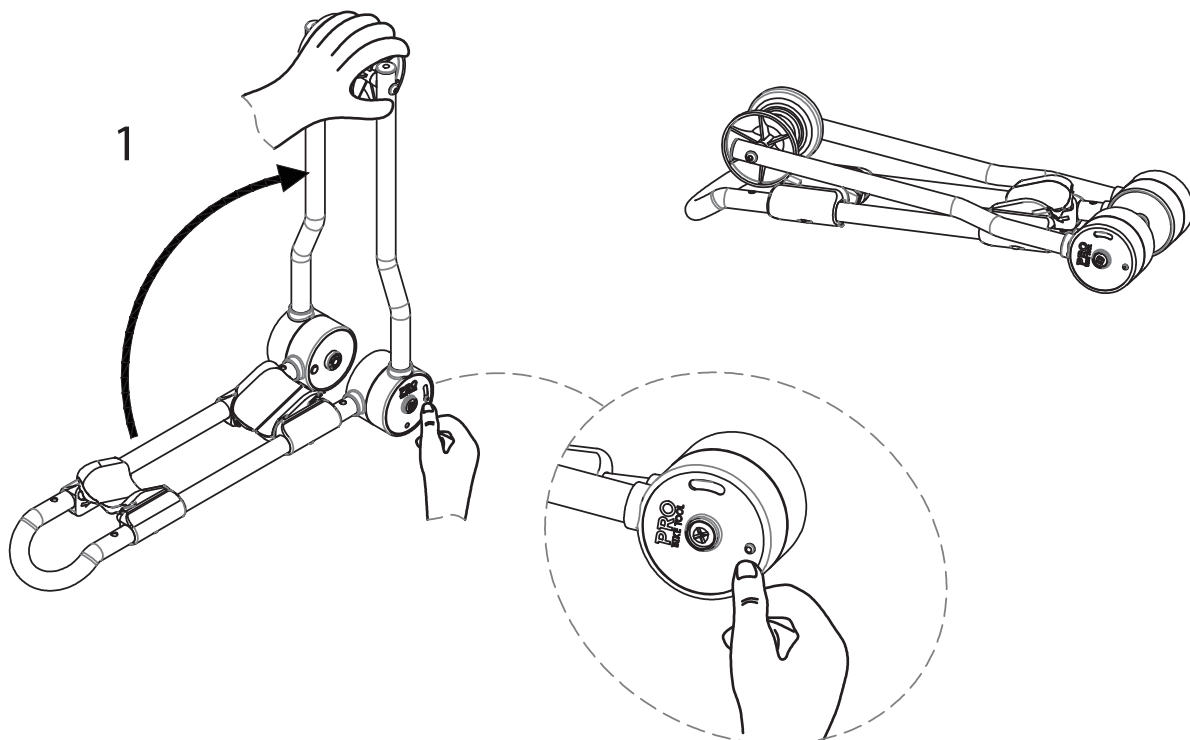
### Bike Floor Stand

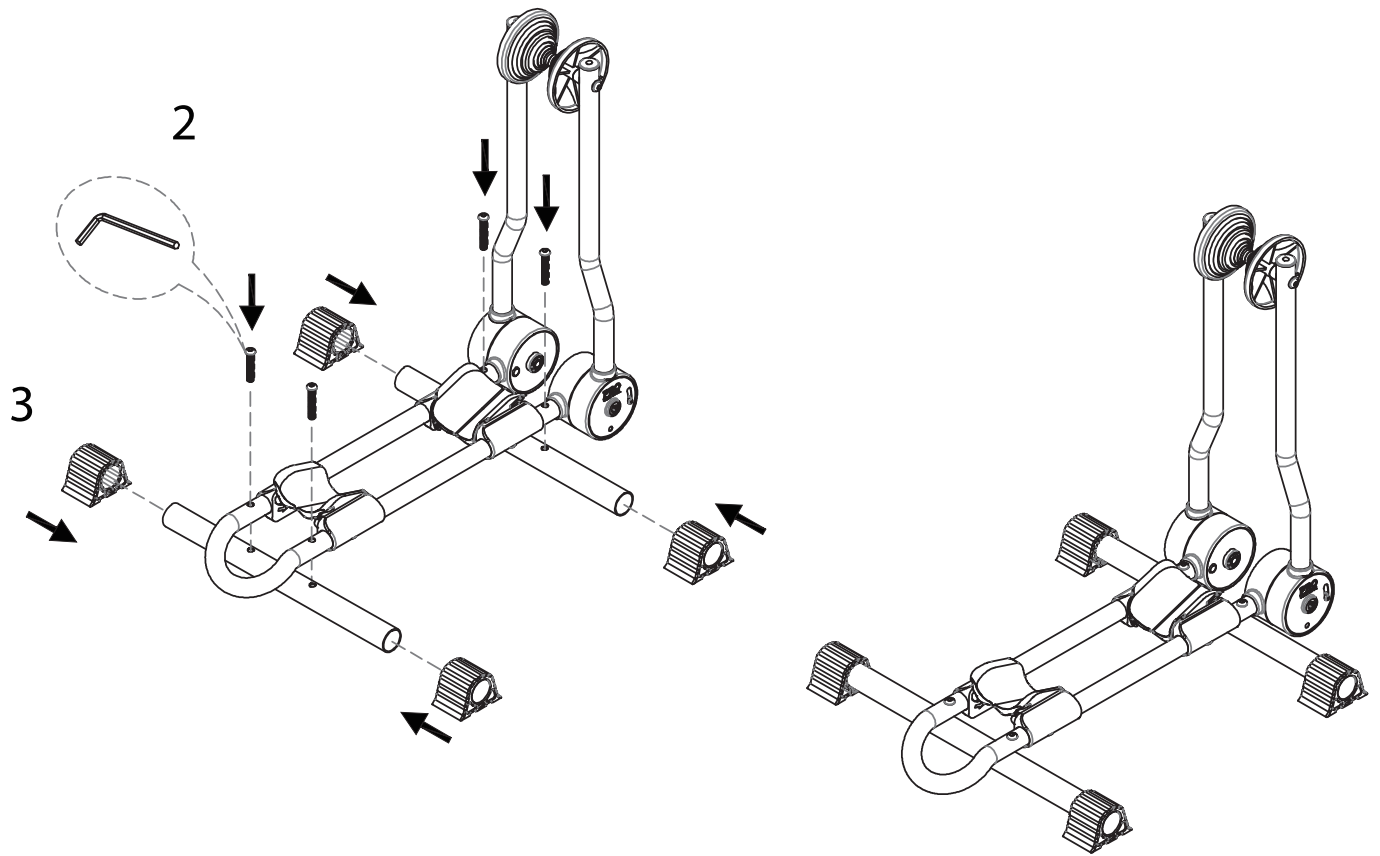
- a. Semi Bike Stand x 1
- b. Allen Key x 1
- c. Bolts x 4
- d. Cross Bar x 2
- e. Feet x 4



## 1 Assemble Bike Stand

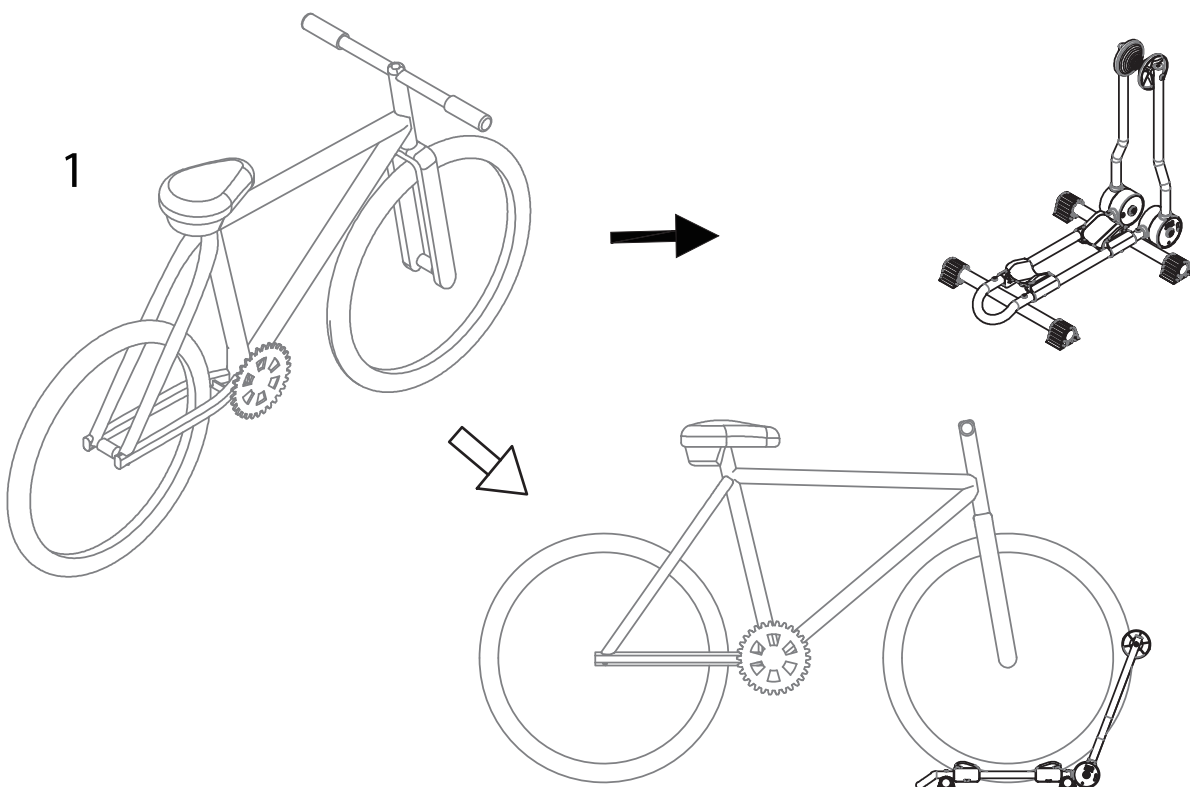
1. Press down Push Button of Semi Bike Stand (a) and pull holding arm upright.
2. Using Allen Key (b), screw the bolts (c) to fasten the Cross Bars (d) to Bike Stand (a).
3. Install Feet x 4 (e) onto Cross Bars (d).



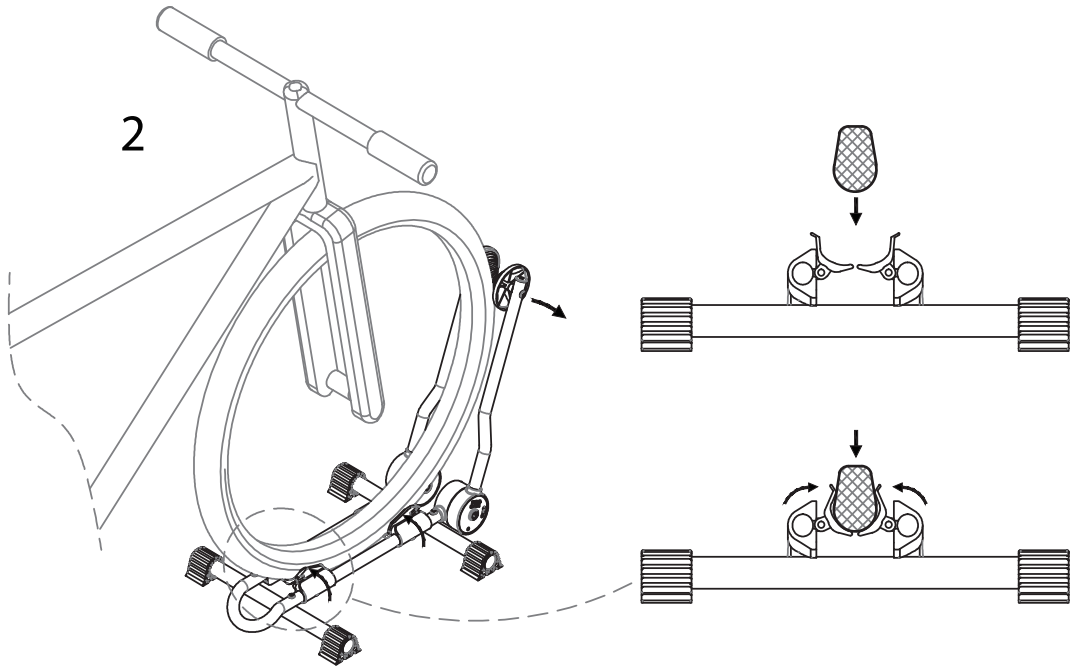


## 2 Park Bike

1. Push your bike up and onto the cradles, make sure the wheel sits in the front and rear cradles.

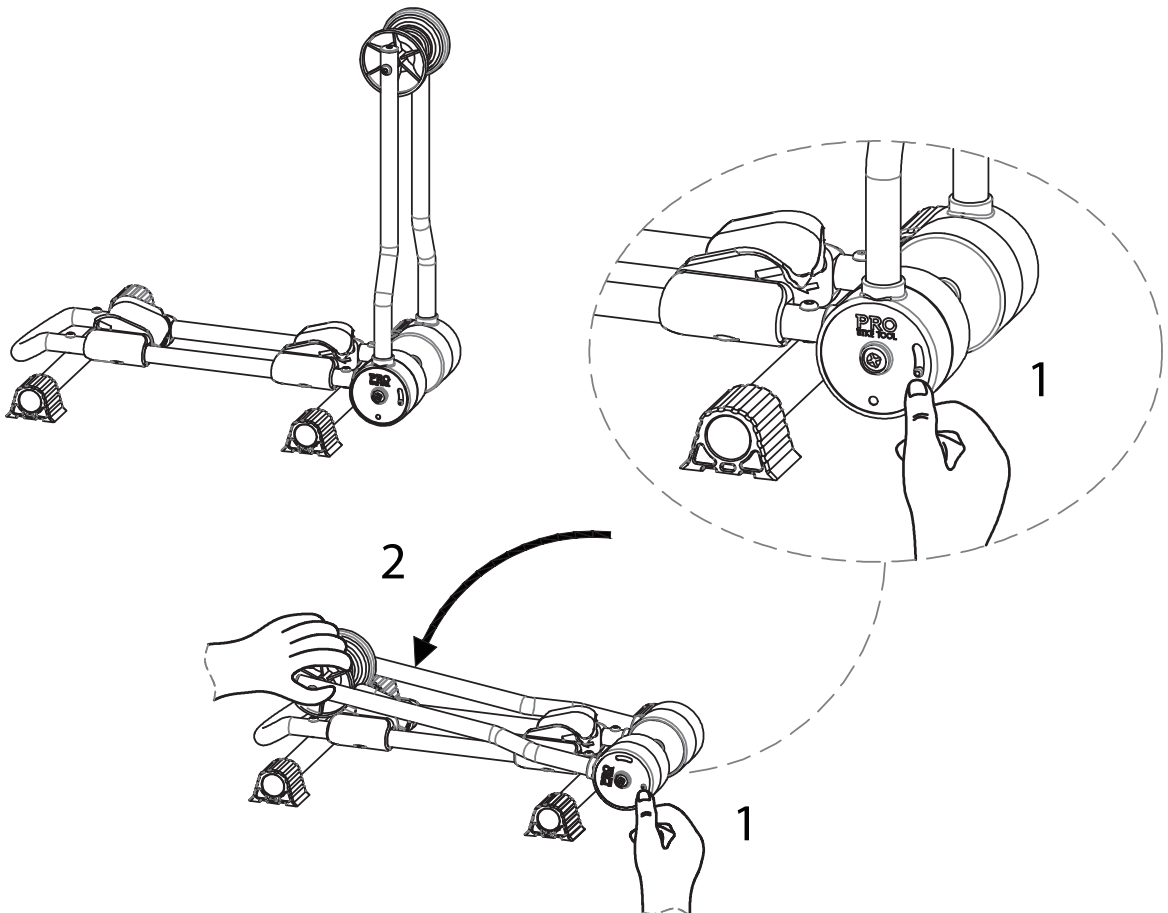


2. After the bike has been parked, make sure the holding arm is pushed backward, and the wheel sits in the middle of the roller of the holding arm. When parking a bike in the bike floor stand, please ensure the front and rear wheels are both positioned in a straight line to ensure the bike does not fall over due to uneven weight distribution.



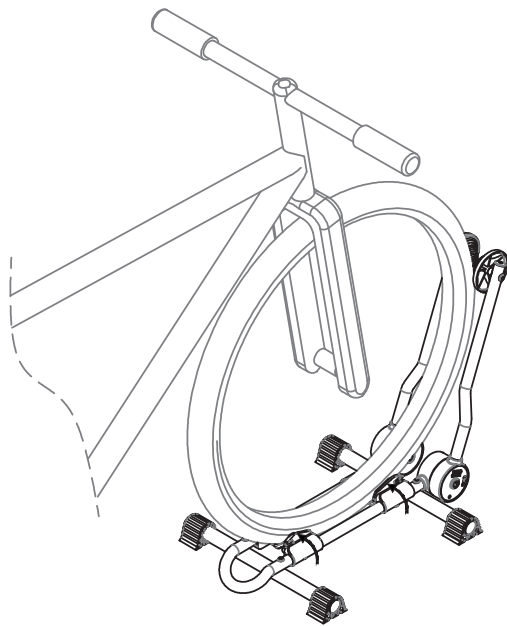
### 3 Storage

1. Press down Push Button.
2. Pull down the holding arm to minimize the volume of the bike stand.



## Wheel Sizes

This Bike Floor Stand fits a range of wheel sizes from 0.7 to 2.2 inches.



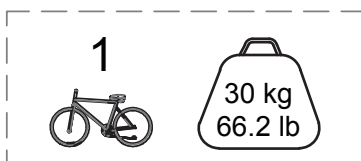
---

## CAUTION

It is important that the bike floor stand is properly set up and used as per the instructions and only used for its predetermined purpose. Inspect the bike floor stand is correctly set up and used as per the instructions. Failure to check the bike floor stand has been installed correctly can result in bodily harm or bicycle damage. Periodic inspections for wear and tear of the bike floor stand are required. If any of the above requirements are not complied with when using the bike floor stand, PRO BIKE TOOL shall not be liable or otherwise responsible for any damage to goods or injuries sustained because of incorrect or inappropriate use of the bike floor stand.

## WARNING

Maximum allowable weight per bike is 30 kg / 66.2 lb. Do not exceed the maximum allowable bike weight when used with the bike floor stand. Be careful when walking around the bike floor stand and parked bike to prevent bodily harm.



## Register your Lifetime Warranty

Your purchase comes with a lifetime warranty against manufacturer defects. To register and activate your warranty please visit : [probiketool.com/warranty](https://probiketool.com/warranty)

## Not totally satisfied or need help?

We are committed to customer satisfaction, so if you are not happy with your purchase, please contact us at [support@probiketool.com](mailto:support@probiketool.com) so that we can make it right. We pride ourselves in responding within 24 hours.

## VIP Club

Join our VIP Club to receive coupon deals and information on our new products [probiketool.com/vip](https://probiketool.com/vip)

## Follow Us!

To keep up to date with all the latest products, news and awesome deals from PRO BIKE TOOL, sign up for our newsletter at [probiketool.com](https://probiketool.com), or follow us at:



**Facebook**

[facebook.com/probiketool](https://facebook.com/probiketool)



**Instagram**

[@probiketool](https://www.instagram.com/probiketool)



**Twitter**

[@probiketool](https://www.twitter.com/probiketool)