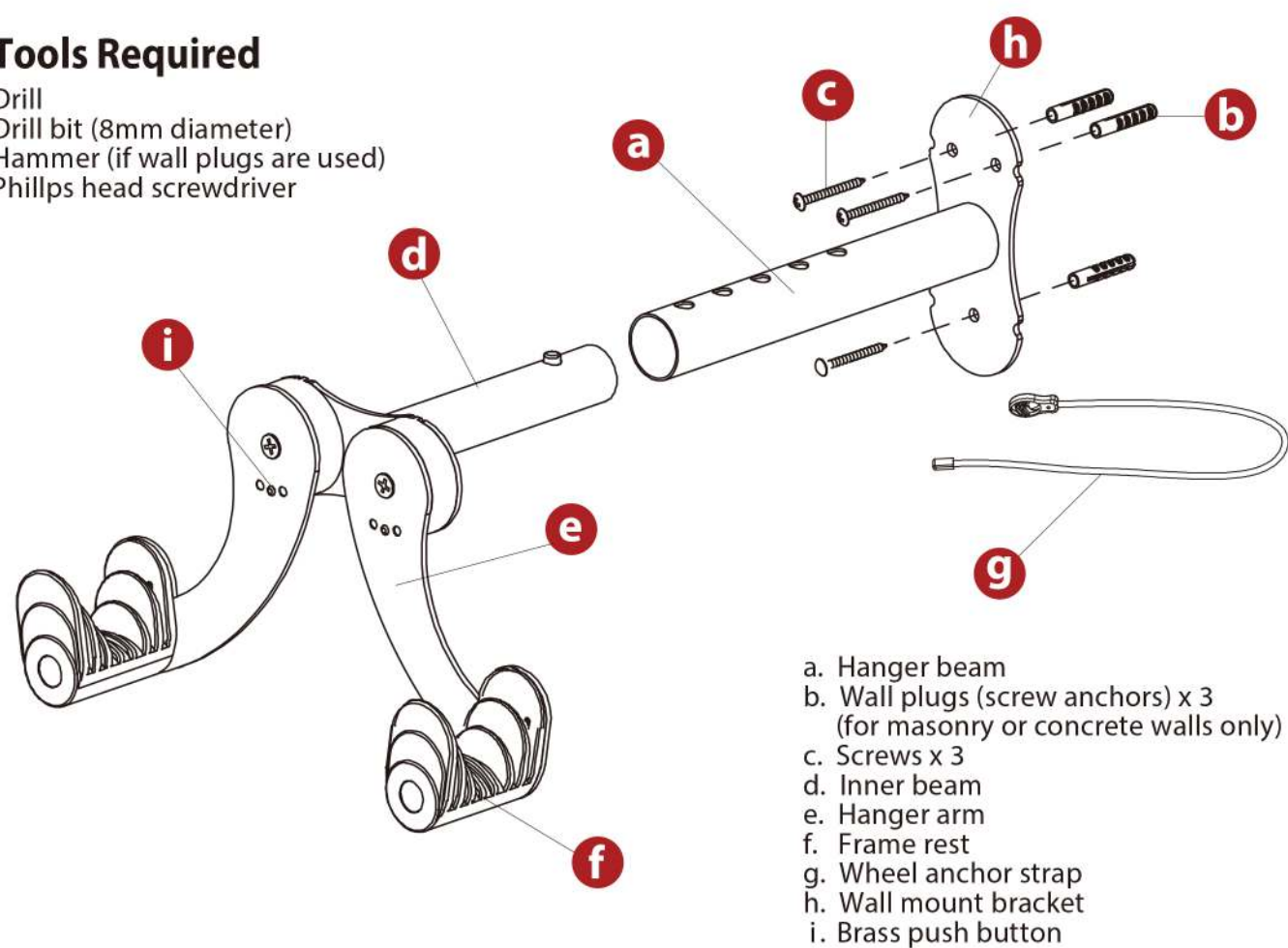


PRO BIKE TOOL

Bike Wall Hanger

Tools Required

Drill
Drill bit (8mm diameter)
Hammer (if wall plugs are used)
Phillips head screwdriver



IMPORTANT - INSTALLATION

Please adhere to the below instructions to ensure warranty is not void.

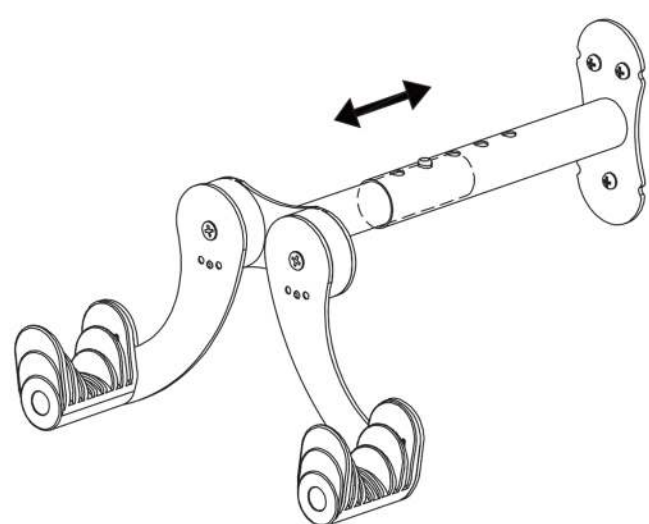
Use correct screws, anchors, electric tools and drill tool bits for installation. DO NOT install bike wall hanger on unsupported wall surfaces e.g. plasterboard wall unless there is a strong wooden stud behind it.

ONLY install bike wall hanger on a solid stud, beam, masonry or concrete wall. The bike wall hanger is designed for use on a wall structure in good condition which is suitably robust to carry the weight of the bike to be hung from it. It is your responsibility to ensure that the hanger is installed on a suitable surface. ONLY use correct wall fixings and anchors appropriate for the type of wall. Be careful to avoid any electrical, plumbing or water fittings within or behind the wall.

Sufficient expertise is required for the correct and safe installation of the bike wall hanger. Please seek professional help if required.

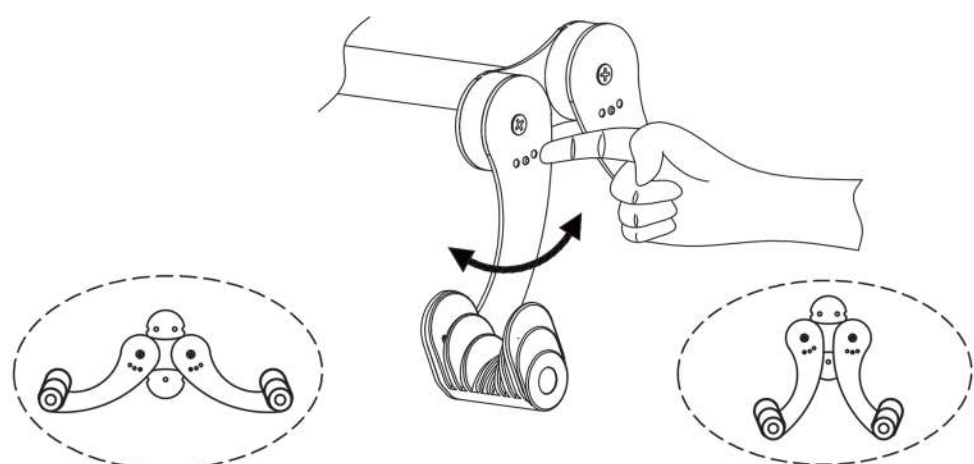
3 Adjust & Secure Hanger Beam

Ensure the inner beam 'button' sits in the adjustment holes within the hanger beam after adjusting the length.



4 Secure Hanger Arms

Hanger arms can be adjusted to be wider or narrower, or to raise or lower either end of the bike. To adjust each arm, push down the 'brass push button' on the front of each arm - whilst keeping the button pushed down, move arm up or down to the desired position. Release button to lock arm into place. After adjusting the hanger arm angles, check arms are locked in place by making sure the 'brass buttons' on the front are visible and that they sit in the holes of the arms.

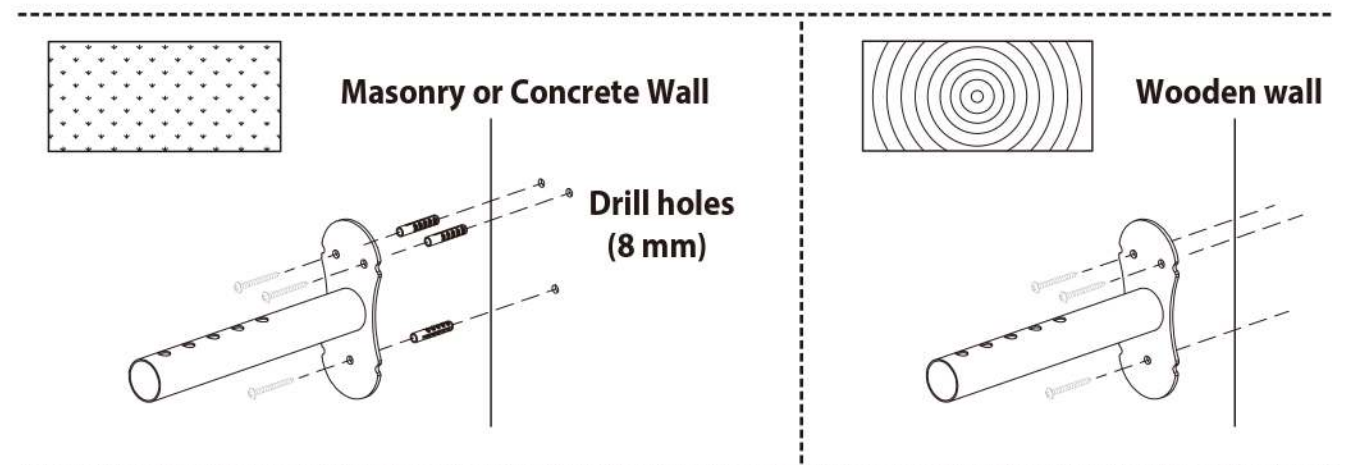


5 Hang Bicycle and Secure Front Wheel with Anchor Strap

Hang bike by placing top tube in frame rests.
Wrap wheel anchor strap around bike down tube and front wheel rim, tighten to secure.

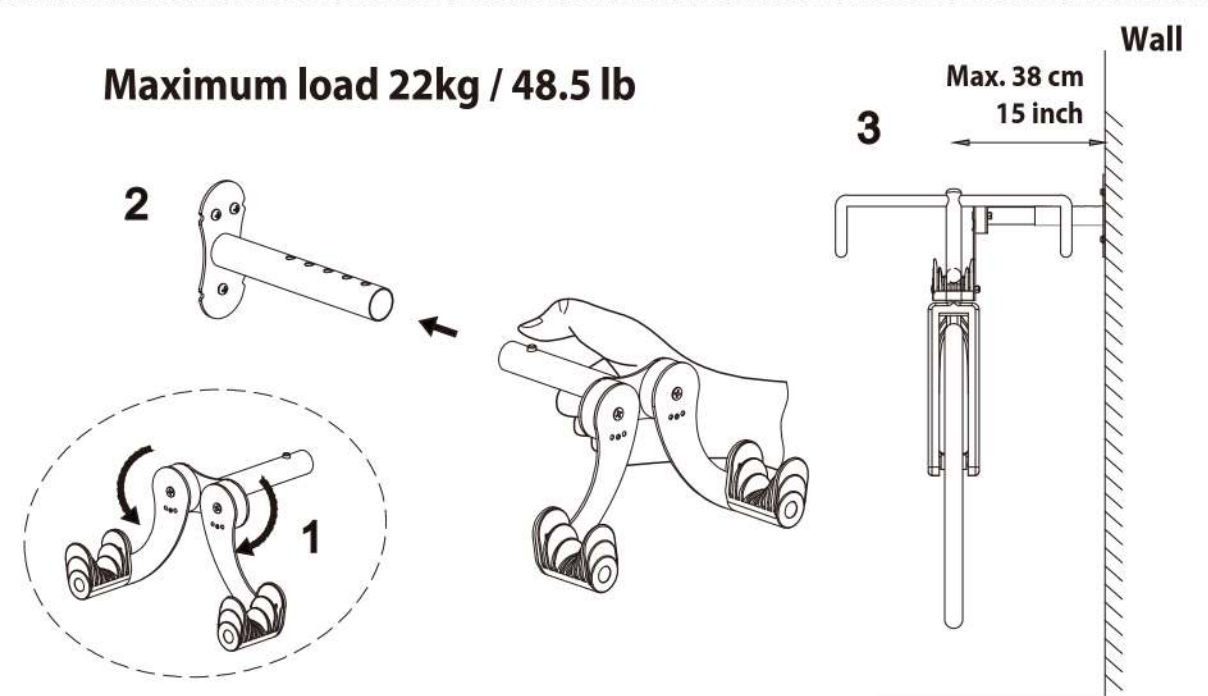
1 Install Bike Wall Hanger on Wall

Mount hanger on a solid stud, beam, masonry or concrete wall with correct fixings and anchors. Mount in an appropriate place where it is unlikely to cause obstruction. Determine correct height for hanger, bike tyres should be at least 10cm (4 inches) from the ground. Wall mount bracket to be mounted 2 holes side up. Wall mount bracket must be vertical, mark drill holes and use spirit or laser level to ensure vertical correctness. Drill holes into wall using correct tool bit. Install wall plugs for masonry or concrete walls. Screw in screws into wall, fully and securely, see diagram.

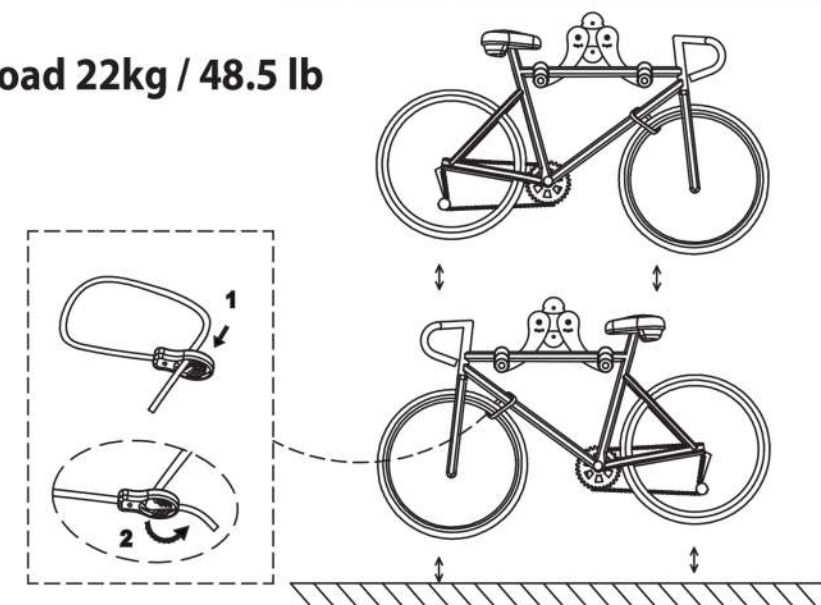


2 Assemble Bike Wall Hanger

For initial set up, rotate both hanger arms down to 'hanging' position, see diagram 1. Slide inner beam into hanger beam, see diagram 2. Adjust length according to bike handlebar width, see diagram 3.



Maximum load 22kg / 48.5 lb



CAUTION!

It is important that the bike wall hanger and its accessories are properly and securely attached to the wall according to the instructions and only used for its predetermined purpose. Inspect the bike wall hanger is installed correctly before hanging a bike. Failure to check that the hanger has been installed correctly can result in possible bodily harm or bicycle damage. Periodic inspections for wear and tear of the bike wall hanger and accessories are required. If any of the above requirements are not complied with when installing the wall hanger, PRO BIKE TOOL shall not be liable or otherwise responsible for any damage to goods or injuries sustained because of incorrect or inappropriate installation of the bike wall hanger.

WARNING!

The maximum weight that can be carried by the bike wall hanger is specified in this instruction manual. DO NOT EXCEED the maximum allowable weight to be carried by the Bike Wall Hanger. Ensure the bike is mounted on a horizontal level and that the weight is evenly and proportionally distributed between the points of contact when using the bike wall hanger. Make sure the wheel strap is properly installed to prevent the front wheel swinging. Be careful when walking around or under the bike wall hanger when it is loaded to prevent bodily injury.

Register your Lifetime Warranty

Your purchase comes with a lifetime warranty against manufacturer defects. To register and activate your warranty please visit: probiketool.com/warranty

Not totally satisfied or need help?

We are committed to customer satisfaction, so if you are not happy with your purchase, please contact us at support@probiketool.com so that we can make it right. We pride ourselves in responding within 24 hours.

VIP Club

Join our VIP Club to receive coupon deals and information on our new products probiketool.com/vip

Follow Us!

To keep up to date with all the latest products, news and awesome deals from PRO BIKE TOOL, sign up for our newsletter at probiketool.com, or follow us at:

